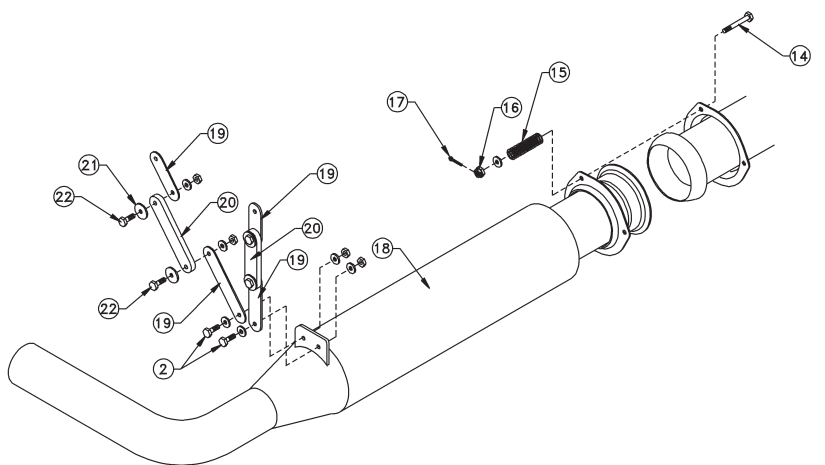


TYPICAL FUEL TANK AND
HEAT SHIELD INSTALLATION
PASSENGER SIDE SHOWN

REF. NO.	PART NO.	PART NAME	QTY.
1.	E25-6110	FUEL TANK	2
2.	E00-2301	BOLT 3/16 X 5/8.....	6
3.	E25-3110	CLAMP (MAKE FROM .063 STRAP).....	4
4.	E25-1400	RUBBER STRAP (4" LENGTHS SUPPLIED)....	4
5.	E00-2420	EYE BOLT 1/4 X 1-1/8.....	2
6.	E25-3100	FUEL TANK STRAP .063 X 3/4.....	4
7.	E12-3611	FUEL TANK BRACKET (ON AIRFRAME).....	2
8.	E00-2300	BOLT 3/16 X 1/2.....	6
9.	E24-9831	HEAT SHIELD (MAKE FROM E24-9780).....	2
10.	E00-9114	7/8 CUSHION LOOP CLAMP.....	2
11.	E00-2532	5/16 x 5/8 12 POINT BOLT.....	2
12.	E24-9881	HEAT SHIELD BRACKET.....	2
13.	E00-9100	TIE WRAP.....	8
14.	E00-2325	BOLT 3/16 X 1 3/8" DRILLED SHANK.....	3
15.	E24-1251	SPRING.....	3
16.	E00-3303	3/16 CASTLE NUT.....	3
17.	E00-5000	COTTER PIN 1/16 X 3/4.....	3
18.	E24-9011	MUFFLER/TAIPIPE WELDMENT.....	1
19.	E24-3151	MUFFLER STRAP (1 MAKES 4).....	4
20.	E24-3100	MUFFLER MOUNT RUBBER (1 MAKES 2)....	2
21.	E00-4302	3/16 FENDER WASHER.....	8
22.	E00-2304	BOLT 3/16 X 7/8.....	4



ROTORWAY INTERNATIONAL		CHANDLER, ARIZONA	
SCALE: NONE	APPROVED BY:	DRAWN BY: WAR	REVISED: NONE
DATE: 10-14-94			
FUEL TANKS AND MUFFLER			
DRAWING NUMBER:			E25-2000